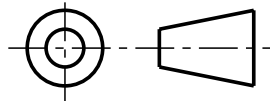


Appendix F Drawings

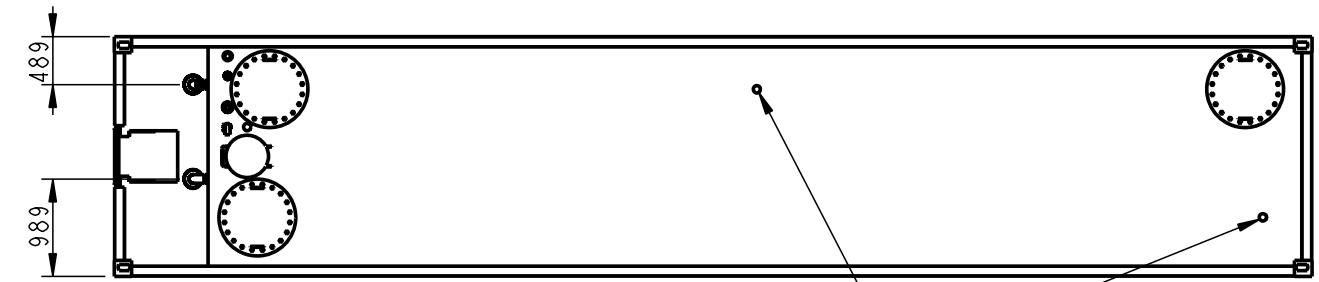
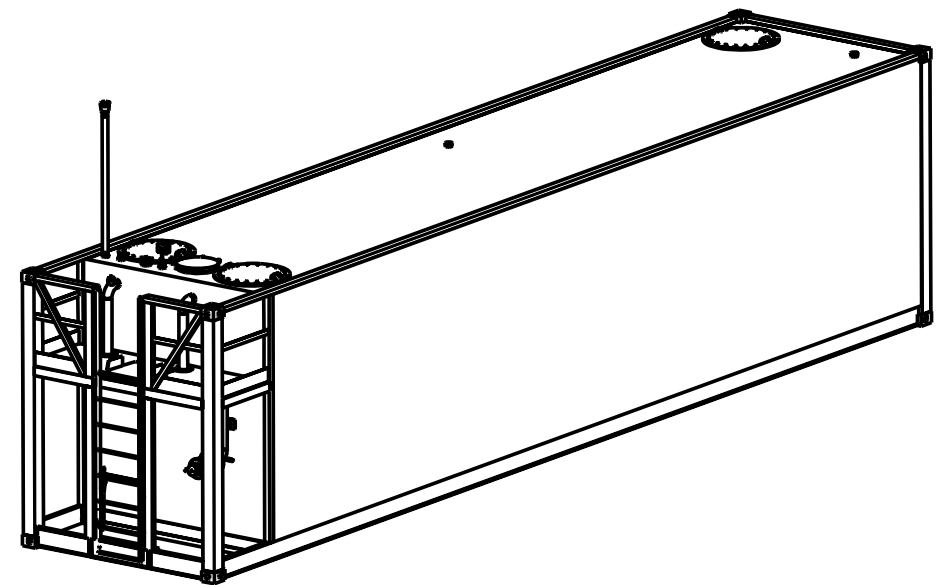
DRAWING NO
T-068-GA01

DO NOT SCALE



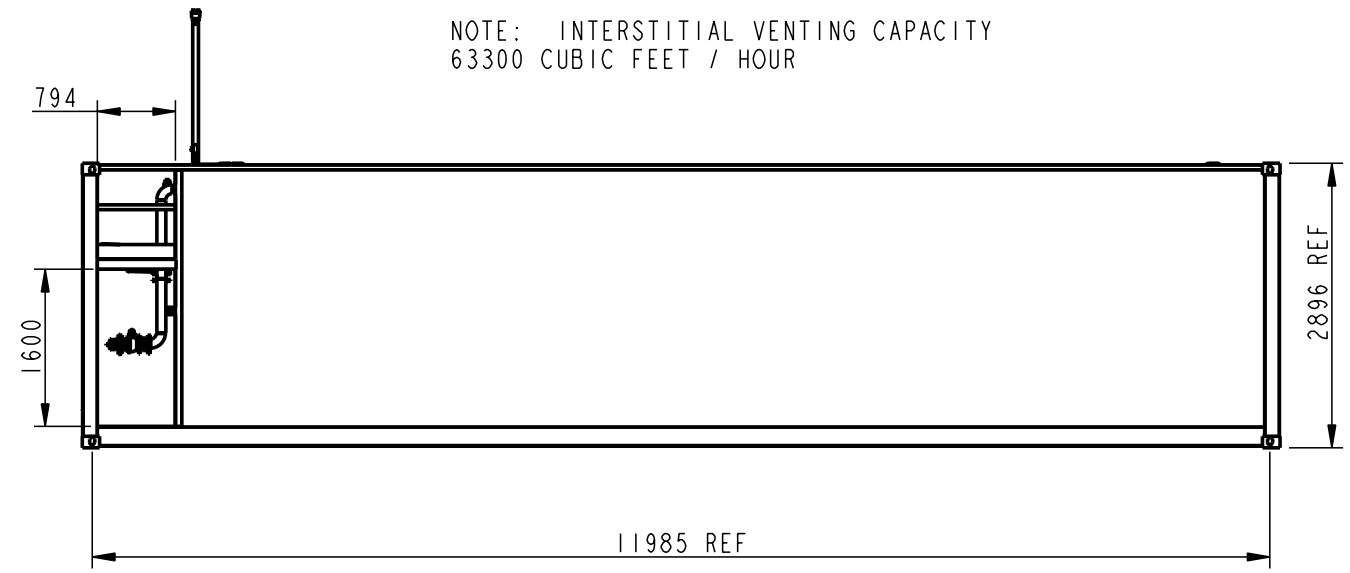
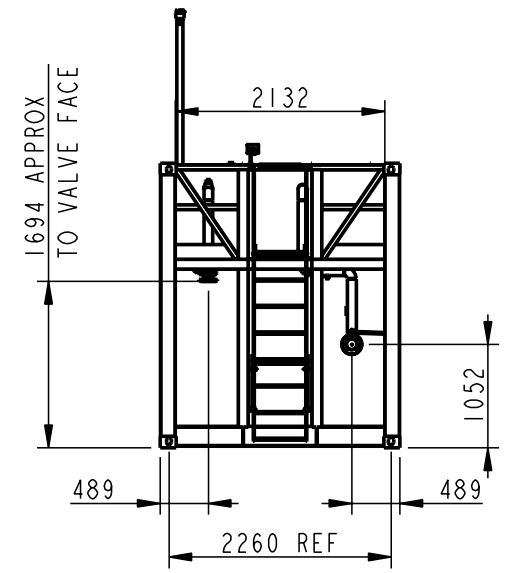
ISSUE	DATE	DESCRIPTION	APPROVED	ZONE
01	03/03/06	ORIGINAL ISSUE	N.H.	ALL
02	24/08/06	DETAILS ADDED	N.H.	ALL

USED ON



INTERSTITIAL VENTS

NOTE: INTERSTITIAL VENTING CAPACITY
63300 CUBIC FEET / HOUR



PART: T-C68-GA01

MATERIAL: REFER COMPONENTS

FINISH: PREPARE FOR WELDING

CONFIDENTIAL
This document and all information contained within it remains the property of TRANSTANK PTY LTD and specified parties deemed by TRANSTANK PTY LTD. No part of this document may be copied without explicit consent of TRANSTANK PTY LTD.
© TRANSTANK PTY LTD 2001

TOLERANCES:
ALL DIMENSIONS IN MM

UNLESS STATED OTHERWISE ALL TOLERANCES TO BE AS FOLLOWS:

0 ± 2
0.0 ± 0.5
0.00 ± 0.1
ANG ± 0.5°

DRAWN TO ASI100

DRAWN T. GALLA	DATE 03/03/06
DESIGN/CHECKED N. HARRISON	DATE 03/03/06
APPROVED N. HARRISON	DATE 03/03/06
CONFIGURED N. HARRISON	DATE 03/03/06

TRANSTANK

**T68 TANK ENCLOSURE
GENERAL ARRANGEMENT**

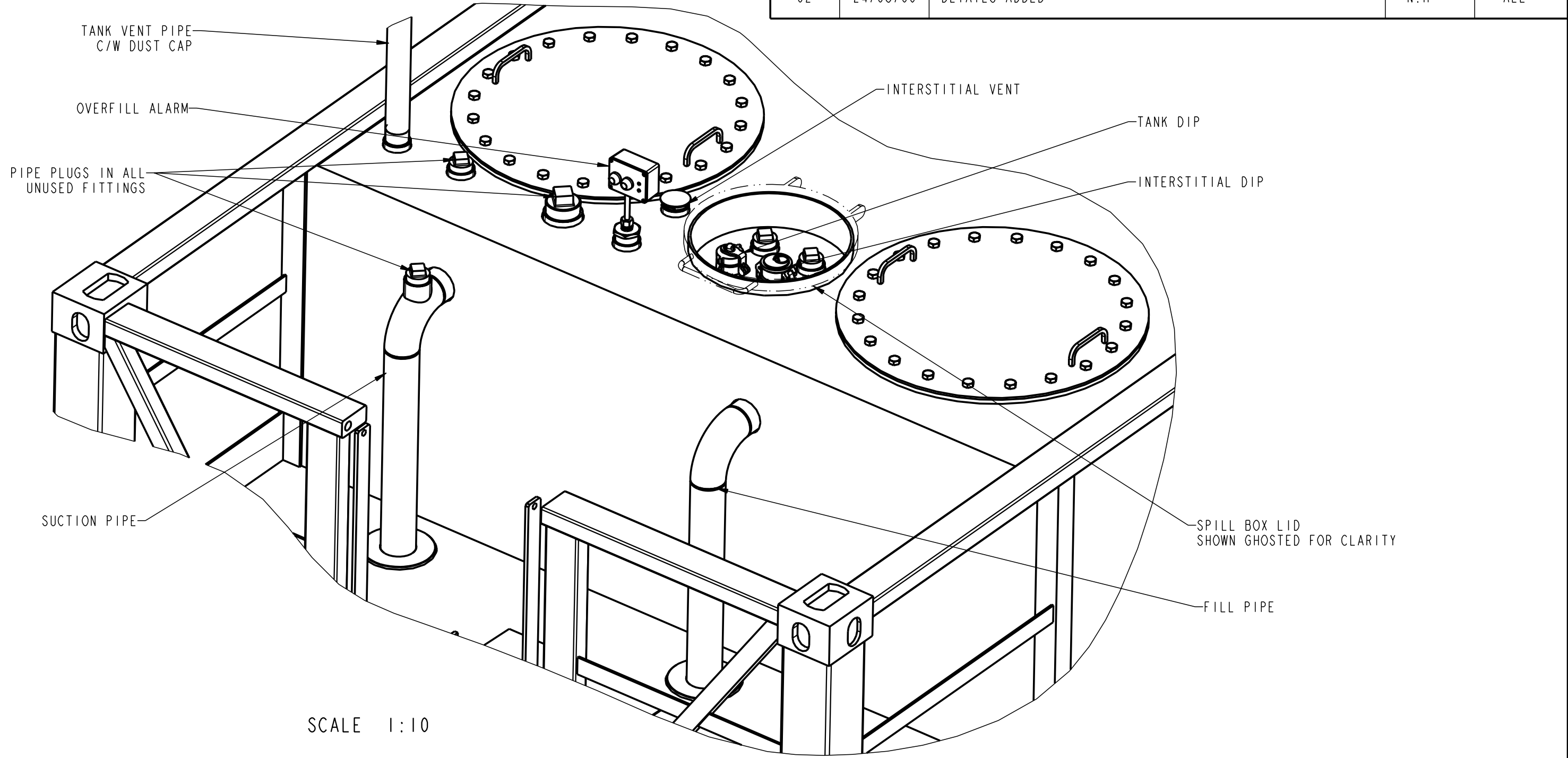
DRAWING NO T-068-GA01		SHEET SIZE A3
SCALE 13:1000	APPR MASS: SHT 1 OF 3 ISS: 02	

DRAWING NO
T-068-GA01

DO NOT SCALE

ISSUE	DATE	DESCRIPTION	APPROVED	ZONE
01	03/03/06	ORIGINAL ISSUE	N.H.	ALL
02	24/08/06	DETAILS ADDED	N.H.	ALL

USED ON



SCALE 1:10

PART: T-C68-GA01

MATERIAL: REFER COMPONENTS

FINISH: PREPARE FOR WELDING

CONFIDENTIAL
This document and all information contained within it remains the property of TRANSTANK PTY LTD and specified parties deemed by TRANSTANK PTY LTD. No part of this document may be copied without explicit consent of TRANSTANK PTY LTD.
© TRANSTANK PTY LTD 2001

TOLERANCES:
ALL DIMENSIONS IN MM

UNLESS STATED OTHERWISE ALL TOLERANCES TO BE AS FOLLOWS:

0 ± 2
0.0 ± 0.5
0.00 ± 0.1
ANG ± 0.5°

DRAWN TO ASI100

DRAWN T. GALLA	DATE 03/03/06
DESIGN/CHECKED N. HARRISON	DATE 03/03/06
APPROVED N. HARRISON	DATE 03/03/06
CONFIGURED N. HARRISON	DATE 03/03/06

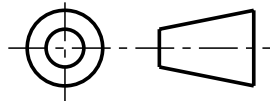
TRANSTANK

**T68 TANK ENCLOSURE
GENERAL ARRANGEMENT
PIPEWORK DETAIL**

DRAWING NO T-068-GA01		SHEET SIZE A3
SCALE 13:1000	APPR MASS: SHT 2 OF 3 ISS: 02	

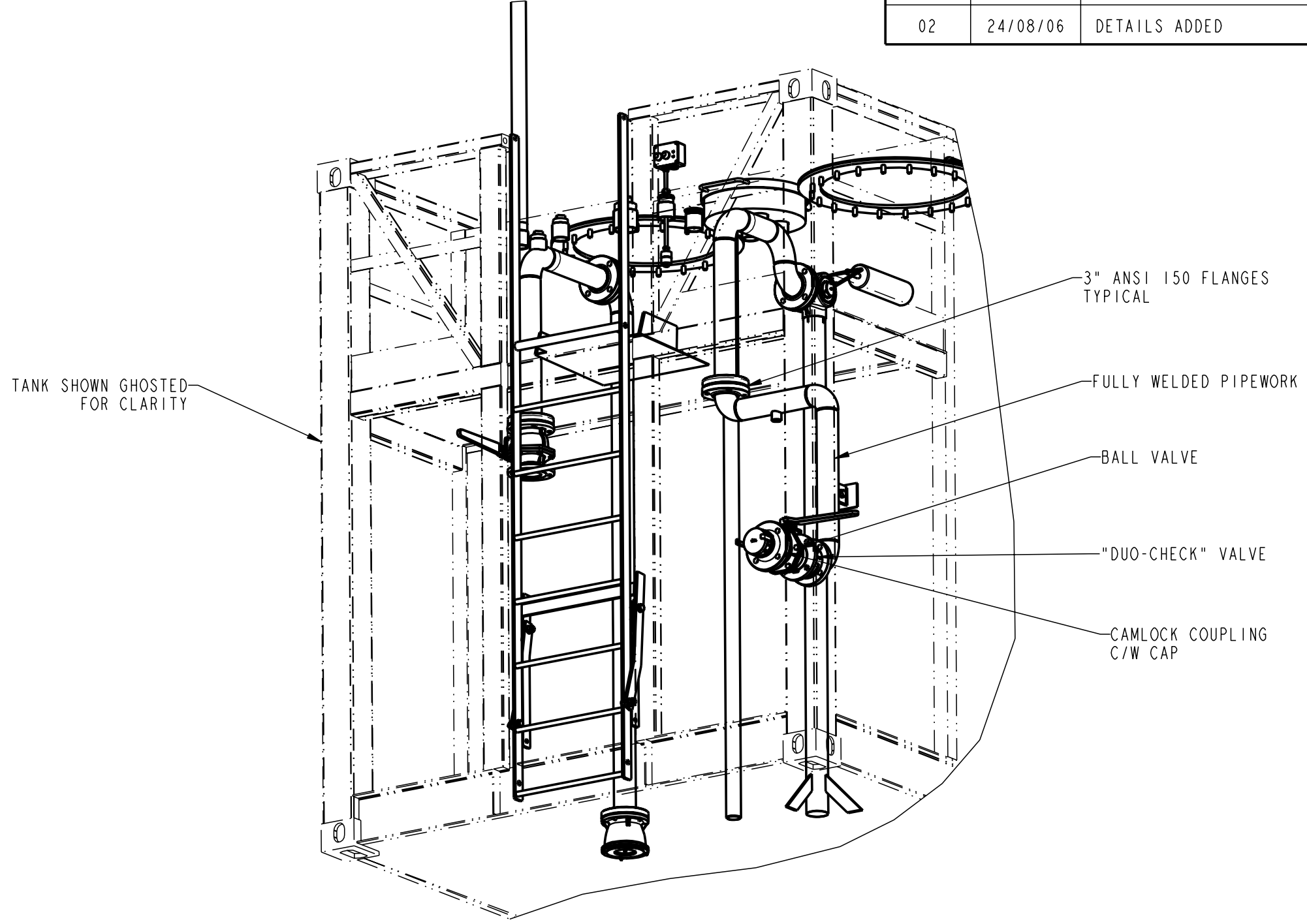
DRAWING NO
T-068-GA01

DO NOT SCALE



ISSUE	DATE	DESCRIPTION	APPROVED	ZONE
01	03/03/06	ORIGINAL ISSUE	N.H.	ALL
02	24/08/06	DETAILS ADDED	N.H	ALL

USED ON



PART: T-C68-GA01

MATERIAL: REFER COMPONENTS

FINISH: PREPARE FOR WELDING

CONFIDENTIAL
This document and all information contained within it remains the property of TRANSTANK PTY LTD and specified parties deemed by TRANSTANK PTY LTD. No part of this document may be copied without explicit consent of TRANSTANK PTY LTD.
© TRANSTANK PTY LTD 2001

TOLERANCES:
ALL DIMENSIONS IN MM

UNLESS STATED OTHERWISE ALL TOLERANCES TO BE AS FOLLOWS:

0 ±
0.0 ±
0.00 ±
ANG ±

DRAWN TO AS1100

DRAWN T. GALLA	DATE 03/03/06
DESIGN/CHECKED N. HARRISON	DATE 03/03/06
APPROVED N. HARRISON	DATE 03/03/06
CONFIGURED N. HARRISON	DATE 03/03/06

TRANSTANK

TITLE
T68 TANK ENCLOSURE

DRAWING NO T-068-GA01		SHEET SIZE A3
SCALE 1:20	APPR MASS: SHT 3 OF 3 ISS: 02	

