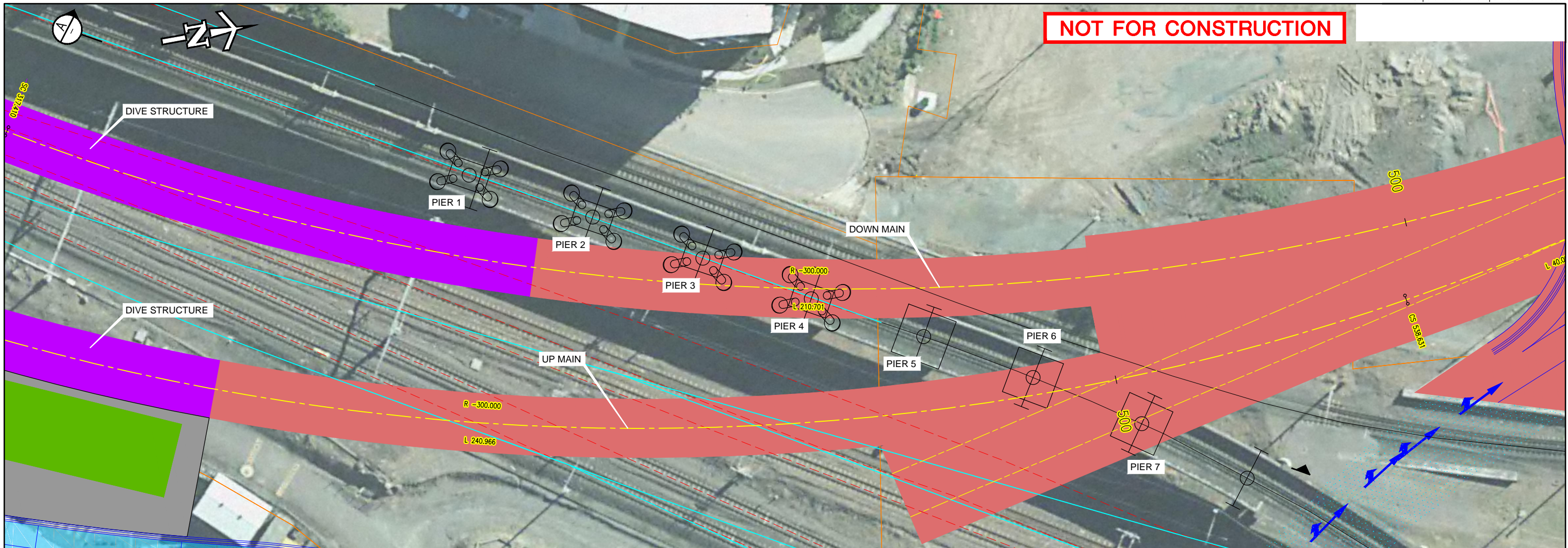
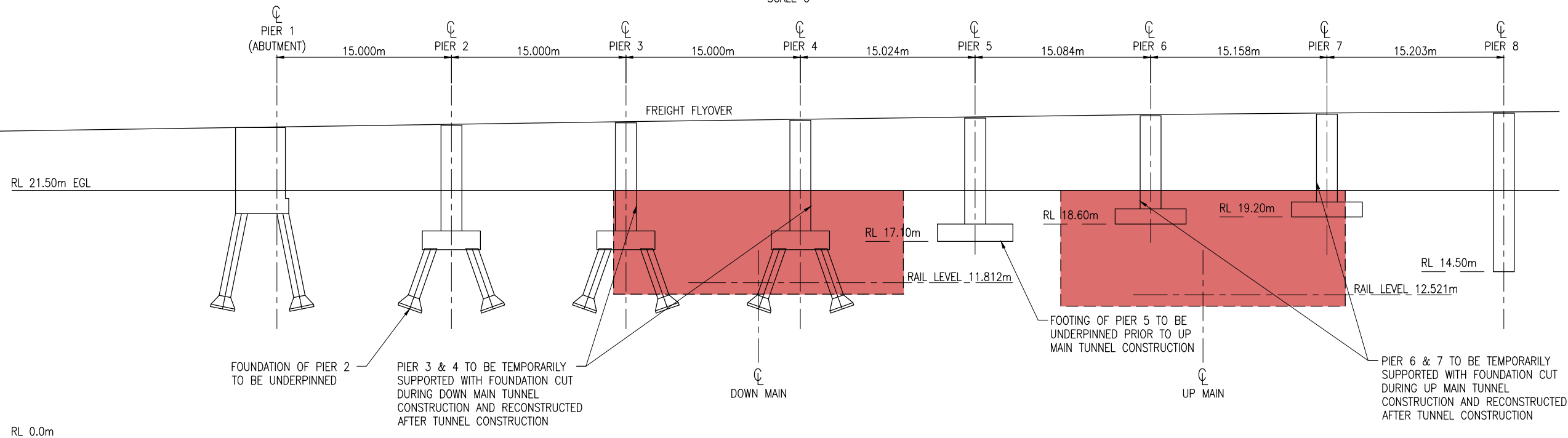


**NOT FOR CONSTRUCTION**



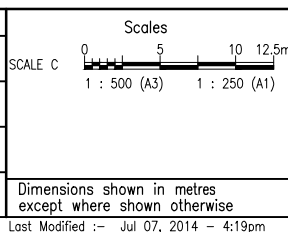
PLAN  
SCALE C



SECTION  
SCALE C

Revisions/Descriptions	Certification	Date	Microfiled
2 ISSUED FOR EIS		01/08/14	
1 REVISED REFERENCE DESIGN		30/06/14	
0 REFERENCE DESIGN		06/06/14	

Associated Job Nos	Survey Data
	Datum
Auxiliary Drg Nos	Horiz. Grid
	Height Origin
	Survey Books



BRISBANE CITY BaT (BUS AND TRAIN PROJECT) REFERENCE DESIGN				
Reference Points				
Preceding RP	Dist. to start of job (km)	From start to end of job	From end to Following RP	Following RP

SOUTHERN ZONE FREIGHT FLYOVER FOUNDATION UNDERPINNING PLAN AND SECTION				
ENGINEERING CERTIFICATION				
Drawn S.W.F	ENG. AREA LEAD	NAME A.WATT	SIGNATURE A.D.W	NO. DATE 01/08/14
Designed W.L.L				

Job No.	
Contract No.	202101
Series Number	1 of 1
MRR_Detail (06/13)	