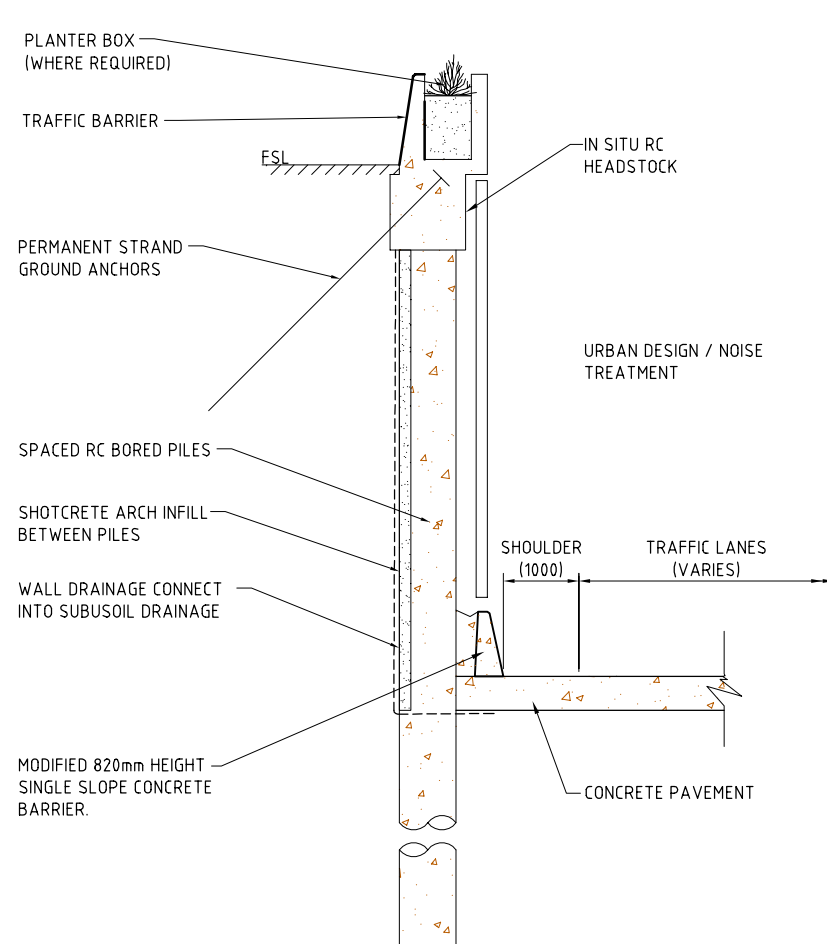
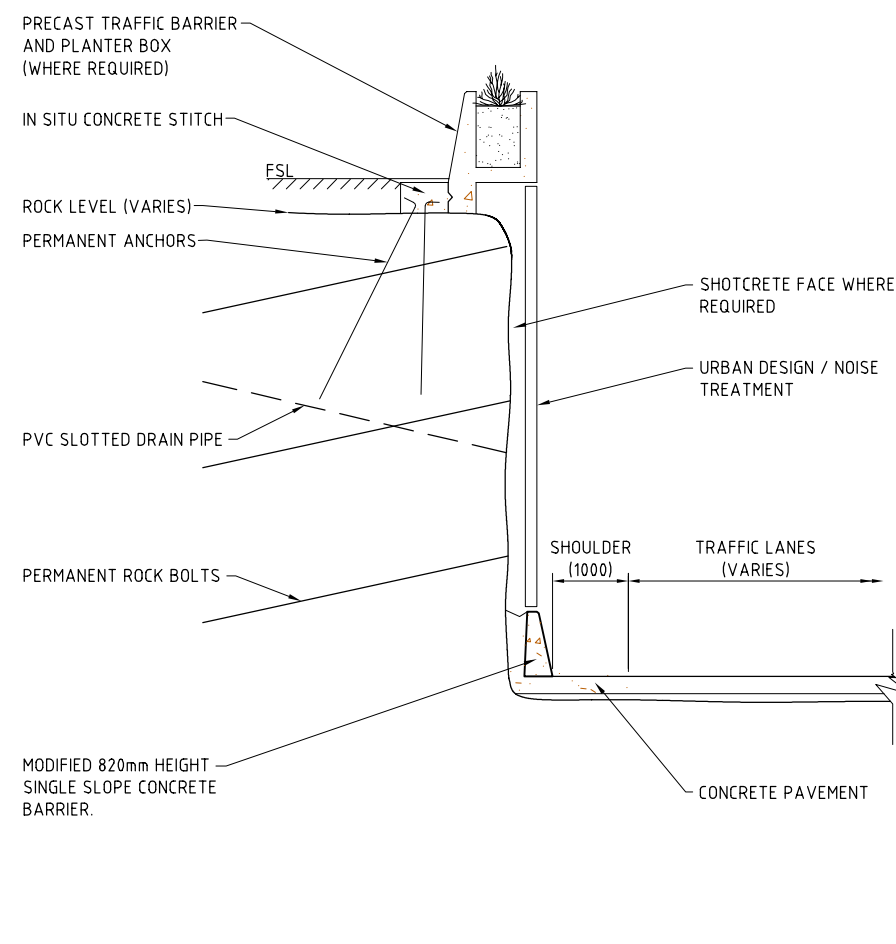


NOTES

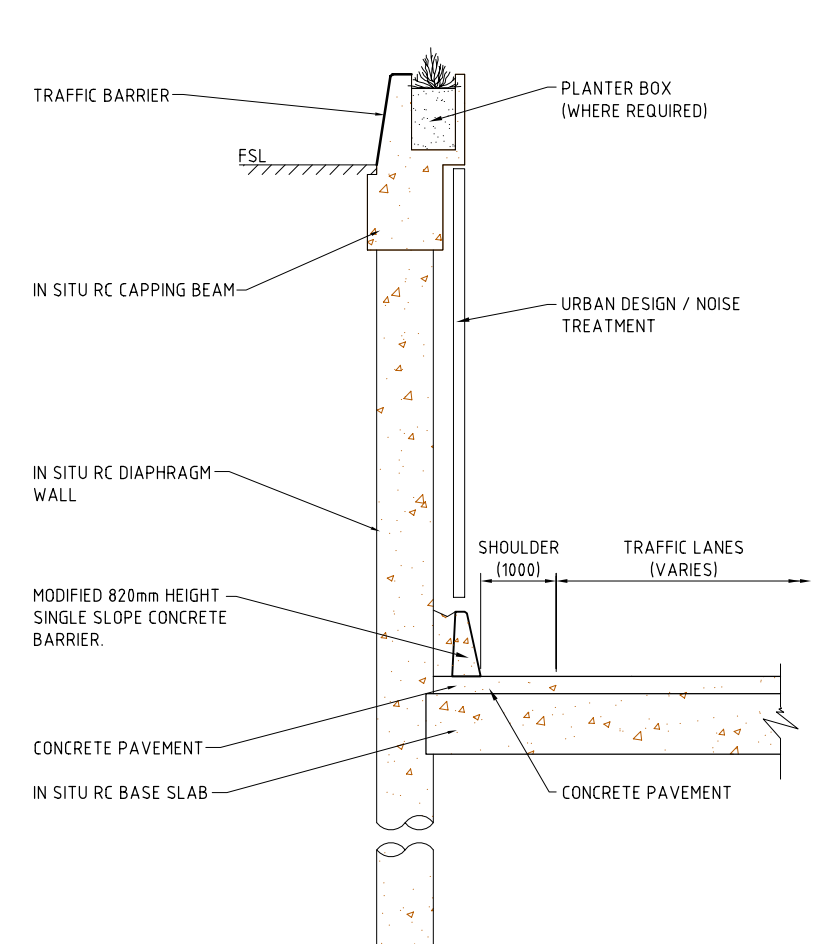
SHOULDER WIDTHS MAY INCREASE TO SUIT SITE DISTANCE REQUIREMENTS. MINIMUM SHOULDER WIDTHS SHOWN IN BRACKETS



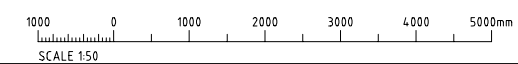
**TYPICAL CROSS SECTION
TRANSITION STRUCTURE
IN GOOD GROUND**
SCALE: 1:50



**TYPICAL CROSS SECTION
TRANSITION STRUCTURE
IN HARD GROUND / SHALLOW ROCK**
SCALE: 1:50



**TYPICAL CROSS SECTION
TRANSITION STRUCTURE
IN LOOSE / SOFT GROUND**
SCALE: 1:50



**PRELIMINARY
NOT FOR CONSTRUCTION**

Rev.	Date	Revision Details
01	19.07.06	INITIAL ISSUE FOR COORDINATOR GENERAL PDH

TYPICAL CROSS SECTIONS
TRANSITION STRUCTURE DETAILS

CW Project No.
9991

Scale
1:50 AT A1

Sketch No. Rev.
EIS-TX-004 01